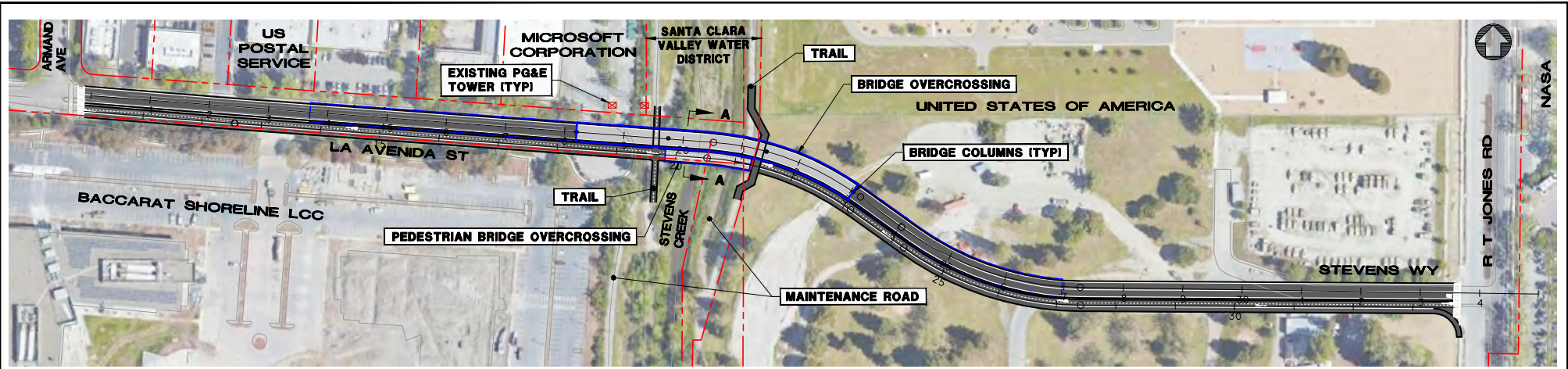
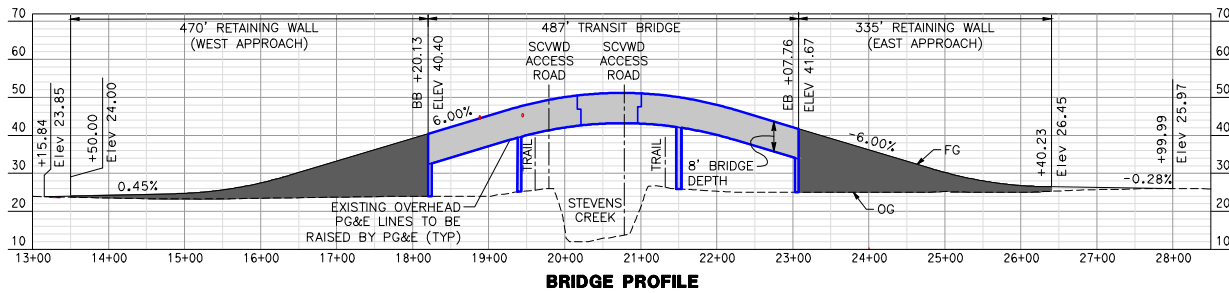


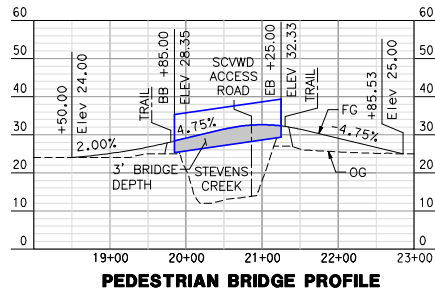
La Avenida Bridge Alternatives



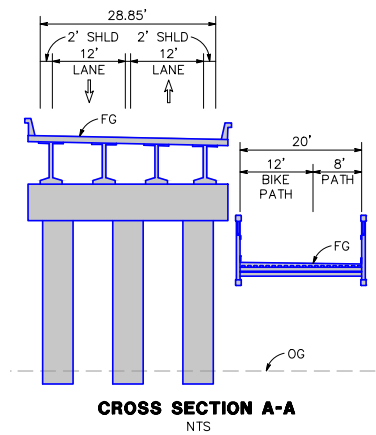
PLAN



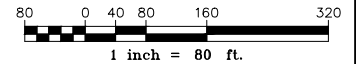
BRIDGE PROFILE



PEDESTRIAN BRIDGE PROFILE



CROSS SECTION A-A
NTS



- LEGEND**
- EXISTING RIGHT OF WAY
 - RETAINING WALL
 - ▬ BRIDGE
 - ▬ PAVING/WALLS

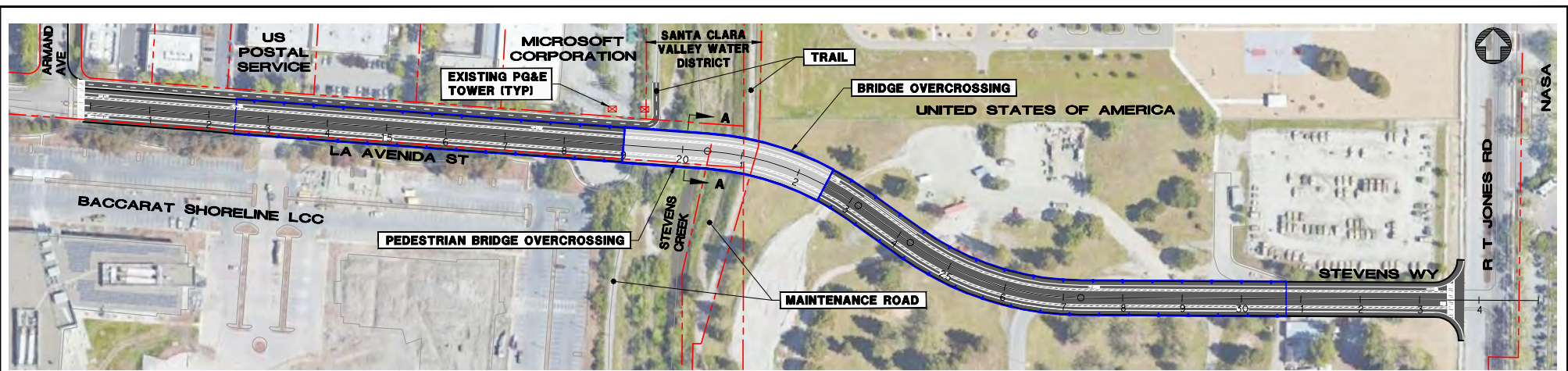
LA AVENIDA STREET OVERCROSSING - ALTERNATIVE 1
2 LANE BRIDGE WITH SEPARATED PEDESTRIAN/BIKE BRIDGE
 CITY OF MOUNTAIN VIEW, SANTA CLARA COUNTY
 APRIL 2020

**FOR DISCUSSION PURPOSE ONLY,
 NOT FOR CONSTRUCTION**

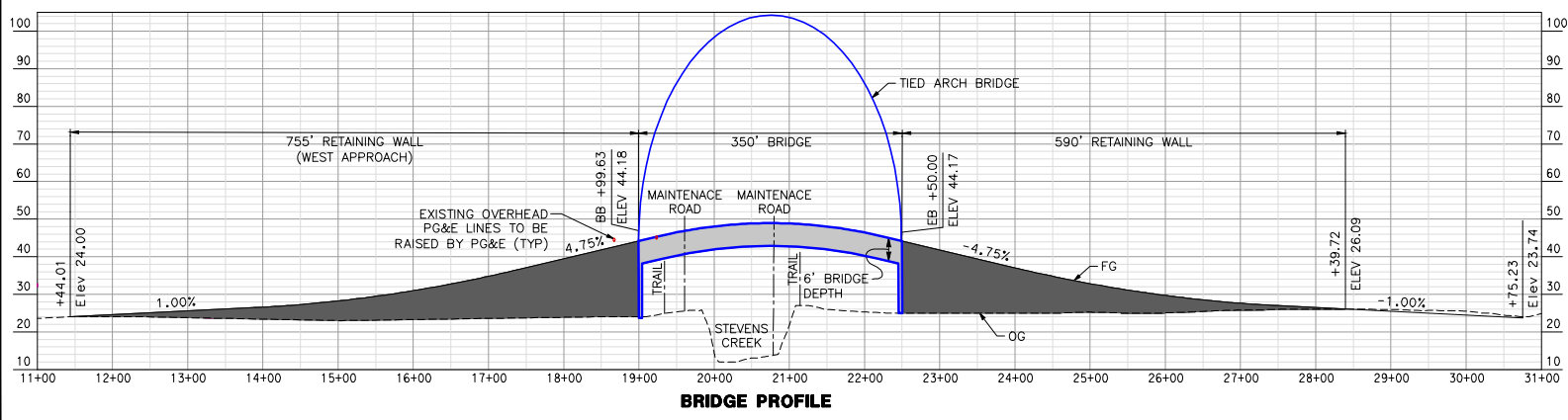


\\BKF-SA\vol4\2018\181698_MT_View_N_BoysShore\ENG\EXHIBITS\09 - Presentation Boards\Location_3_01-La Avenida Street Overcrossing_A11.dwg 13 Apr 2020 6:09:40pm lara

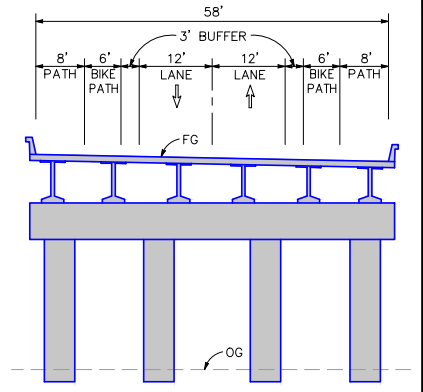
\\BKF-SA\vol4\2018\B1698_MT_View_N_BoysShore\ENG\EXHIBITS\09 - Presentation Boards\Location_3_02-La Avenida Street Overcrossing_A112.dwg 07 Apr 2020 1:02:15pm lara



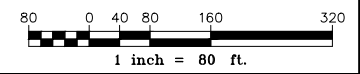
PLAN



BRIDGE PROFILE



CROSS SECTION A-A
NTS



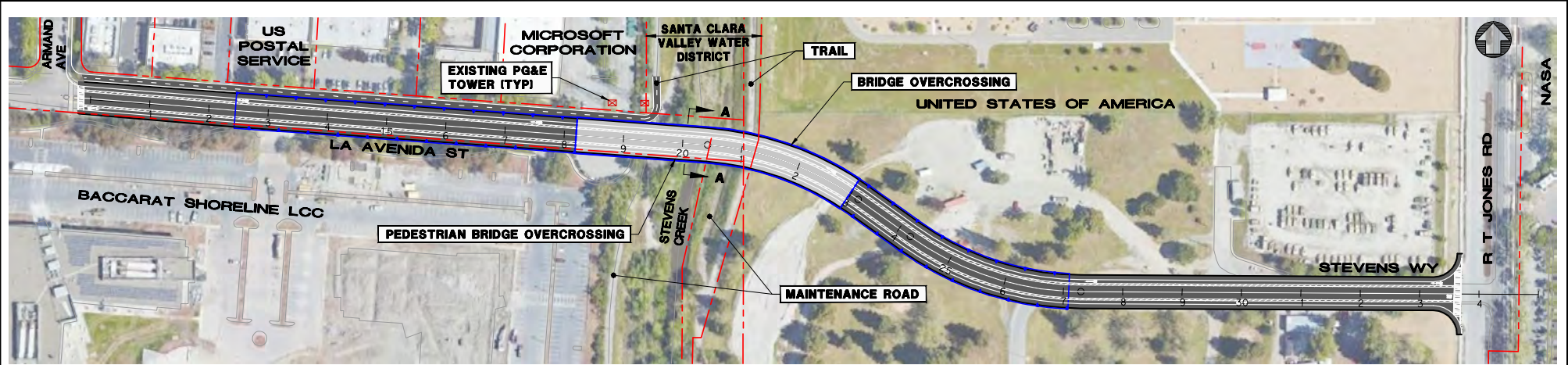
- LEGEND**
- EXISTING RIGHT OF WAY
 - RETAINING WALL
 - ▬ BRIDGE
 - ▬ PAVING/WALLS

LA AVENIDA STREET OVERCROSSING - ALTERNATIVE 2
2 LANE BRIDGE WITH PEDESTRIAN/BIKE PATHS
 CITY OF MOUNTAIN VIEW, SANTA CLARA COUNTY
 APRIL 2020

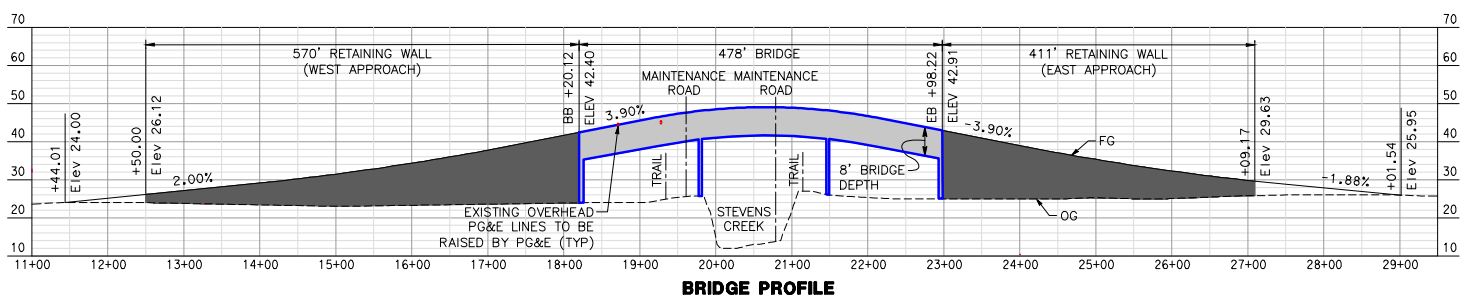
**FOR DISCUSSION PURPOSE ONLY,
 NOT FOR CONSTRUCTION**



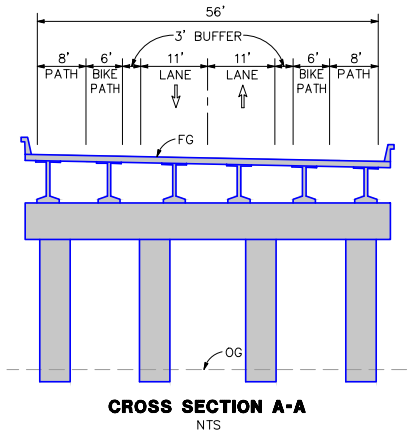
\\BKF-SA\vol4\2018\181698_MT_View_N_BoysShore\ENG\EXHIBITS\09 - Presentation Boards\Location_3_03-La Avenida Street Overcrossing_A113.dwg 07 Apr 2020 1:00:12pm lara



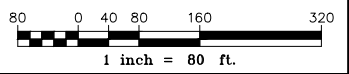
PLAN



BRIDGE PROFILE



CROSS SECTION A-A
NTS



- LEGEND**
- EXISTING RIGHT OF WAY
 - RETAINING WALL
 - ▬ BRIDGE
 - ▬ PAVING/WALLS

LA AVENIDA STREET OVERCROSSING - ALTERNATIVE 3
2 LANE BRIDGE WITH AT-GRADE PEDESTRIAN/BIKE PATHS
 CITY OF MOUNTAIN VIEW, SANTA CLARA COUNTY
 APRIL 2020

**FOR DISCUSSION PURPOSE ONLY,
 NOT FOR CONSTRUCTION**

