

**Received on  
Apr 19, 2021**

## Kielty Arborist Services

Certified Arborist WE#0476A  
P.O. Box 6187  
San Mateo, CA 94403  
650-515-9783

April 13<sup>th</sup>, 2021  
773 Cuesta LLC  
C/O DeNardi Wang Homes  
Attn: Mr. Kevin DeNardi  
4962 El Camino Real, Suite 223  
Los Altos, CA 94022

Site: 773 Cuesta, Mountain View, CA

Dear Mr. Denardi,

As requested on Monday, August 3, 2020, I visited the above site for the purpose of inspecting and commenting on the trees. Four new homes and landscapes have been designed for this site and your concern as to the future health and safety of the trees has prompted this visit. The most recent site plans have been reviewed for writing this report. A tree protection plan will be found at the end of this report.

### Method:

All inspections were made from the ground; the trees were not climbed for this inspection. The trees in question were located on a map provided by you. The trees was then measured for diameter at 48 inches above ground level (DBH or diameter at breast height). The trees were given a condition rating for form and vitality. The trees condition rating is based on 50 percent vitality and 50 percent form, using the following scale.

1	-	29	Very Poor
30	-	49	Poor
50	-	69	Fair
70	-	89	Good
90	-	100	Excellent

The height of the trees were measured using a Nikon Forestry 550 Hypsometer. The spread was paced off. Comments and recommendations for future maintenance are provided.

### Survey Key:

**DBH**-Diameter at breast height (48"above grade)

**Condition**-Condition rating

**Ht/spread**- Height and canopy spread (in feet)

**P**-Indicates protected tree by city ordinance

**R**-Indicates proposed tree removal

Tree #	Species	Botanical Name	DBH (inches)	Condition	Ht./ Spread	Comments
1P	Coast live oak	<i>Quercus agrifolia</i>	29.1	55%	45/50	Good vigor, Fair form, Shares root zone with tree #2
2P	Coast live oak	<i>Quercus agrifolia</i>	24.4	55%	45/45	Good vigor, Fair form, Shares root zone with tree #1
3P/R	Black walnut	<i>Juglans nigra</i>	38 @ base	40%	40/45	Poor to fair vigor, Poor form, Multileader, Ivy to 30'
4P	Coast live oak	<i>Quercus agrifolia</i>	12.4	50%	35/30	Fair vigor, Poor form, Leans northwest
5R	Black walnut	<i>Juglans nigra</i>	8.5, 8.2	0%	25/25	Dead
6P	Coast live oak	<i>Quercus agrifolia</i>	8.3	50%	30/25	Fair vigor, Poor to fair form, Leans northwest
7P/R	Coast live oak	<i>Quercus agrifolia</i>	10.4	50%	30/25	Fair vigor, Poor to fair form, Leans northwest
8R	Black walnut	<i>Juglans nigra</i>	4 x 6"	0%	25/30	Dead
9P	Coast live oak	<i>Quercus agrifolia</i>	16.3, 17.1, 16.5	50%	35/40	Fair vigor, Poor form, Multi leader @ base, Poor crotches
10P/R	Black walnut	<i>Juglans nigra</i>	8.5, 10.4, 10.6	30%	35/40	Poor vigor, Poor form, In decline
11P/R	Coast live oak	<i>Quercus agrifolia</i>	12.1	50%	30/25	Fair vigor, Poor form, Suppressed by tree #12
12P/R	Coast live oak	<i>Quercus agrifolia</i>	11.8	50%	35/30	Fair vigor, Poor form, Shares root zone with tree #11
13P	Coast live oak	<i>Quercus agrifolia</i>	29.9	60%	40/35	Good vigor, Fair form, Leans east over neighbor's property
14P	Coast live oak	<i>Quercus agrifolia</i>	9.4	50%	25/20	Good vigor, Poor to fair form, Suppressed
15P	Coast live oak	<i>Quercus agrifolia</i>	15.8	55%	30/35	Fair vigor, Poor form, Trimmed for line clearance
16P	Coast live oak	<i>Quercus agrifolia</i>	8.2	45%	30/25	Fair vigor, Poor form, Suppressed, Leans north
17P	Coast live oak	<i>Quercus agrifolia</i>	22.3	65%	30/30	Fair vigor, fair form, leans.
18	Stump	<i>unknown</i>	n/a	0%	n/a	Stump
19P	Coast live oak	<i>Quercus agrifolia</i>	22.9	50%	40/35	Fair vigor, Fair form, Trimmed for line clearance
20P	Coast live oak	<i>Quercus agrifolia</i>	20.8	50%	30/30	Fair vigor, Fair form, Trimmed for line clearance
21P	Coast live oak	<i>Quercus agrifolia</i>	23.7	50%	45/40	Poor to fair vigor, Fair form, Ivy to 35'
22P	Valley oak	<i>Quercus lobata</i>	8.9	45%	30/30	Fair vigor, Poor form, Suppressed by tree #21
23P	Coast live oak	<i>Quercus agrifolia</i>	20.9	45%	35/35	Fair vigor, Poor form, Trimmed for line clearance
24P/R	Black walnut	<i>Juglans nigra</i>	16.8	40%	35/35	Poor vigor, Poor form, In decline
25P	Coast live oak	<i>Quercus agrifolia</i>	23.8	55%	45/40	Good vigor, Poor to fair form, Rootcrown undermined
26P	Coast live oak	<i>Quercus agrifolia</i>	8.1	45%	30/30	Fair vigor, Poor form, Leans southeast
27P	Coast live oak	<i>Quercus agrifolia</i>	7.6	45%	25/25	Fair vigor, Poor form, Suppressed
28P	Coast live oak	<i>Quercus agrifolia</i>	16.1	50%	40/35	Fair vigor, Poor form, Suppressed by tree #29
29P/R	Monterey pine	<i>Pinus radiata</i>	44.2	0%	40/50	Dead
30P	Valley oak	<i>Quercus lobata</i>	9.4	50%	30/30	Fair vigor, Poor form, Suppressed by tree #31
31P/R	Valley oak	<i>Quercus lobata</i>	43.9	40%	50/60	Fair vigor, Poor to fair form, root rot found.
32P	Coast live oak	<i>Quercus agrifolia</i>	14.6	60%	35/30	Fair vigor, Fair form, Suppressed by tree #33
33P	Coast live oak	<i>Quercus agrifolia</i>	21.7	60%	40/40	Fair vigor, Fair form, Located near corner of the house
34R	Xylosma	<i>Xylosma congestum</i>	8.1	40%	20/20	Poor vigor, Poor form, Woolly aphid
35P	Coast live oak	<i>Quercus agrifolia</i>	25.8	65%	45/45	Good vigor, Fair form, Heavy lateral limbs
36P	Coast live oak	<i>Quercus agrifolia</i>	18.8	55%	35/40	Good vigor, Poor form, Leans southeast
37P	Coast live oak	<i>Quercus agrifolia</i>	26.6	65%	40/50	Good vigor, Fair form, Spreading
38P/R	Coast live oak	<i>Quercus agrifolia</i>	14.1	50%	35/35	Fair vigor, Poor form, Leans southeast, Suppressed
39P	Coast live oak	<i>Quercus agrifolia</i>	16.5	50%	35/35	Fair vigor, Poor form, Leans southeast, Suppressed.
40P/R	Coast live oak	<i>Quercus agrifolia</i>	13.6	45%	30/30	Fair vigor, Poor form, Leans heavy to east
41P/R	Coast live oak	<i>Quercus agrifolia</i>	9.6	35%	30/25	Fair vigor, Poor form, Leans heavy to southeast

**Summary:****Protected trees on site:**

The city of Mountain View regulates all Heritage trees. All trees with a diameter measurement of 15.2 inches or larger are considered “Heritage Trees”. Oak trees measuring 3.8” in diameter or larger are also “Heritage Trees”. Trees #1-4, 6, 7, 9, 11-17, 19-21, 23-27, 29, 31-33, 35-41 are “Heritage Trees” found on site.



The trees on site are a mix of native oaks and several species of imported trees (exotics). The trees are in poor-fair condition with no excellent trees found on site. For the most part, the majority of the trees are on the perimeter of the property in good locations where they can be retained. Several trees are in poor condition and are recommended for removal as they are not expected to improve. Monterey pine #29, and #18 are dead and proposed for removal. Bark beetle frass was observed at the base of the pine trees. Prolonged drought and beetle attack have led to the death of the pine trees. Trees with a condition rating under 50 are considered poor trees and not suitable for preservation within the new landscape, tree removal is recommended.

**Large Monterey pine #29 is dead from bark beetle.**

Black walnut trees #3, 8 and 10 are in poor condition and should be removed. Black walnut trees have a poor tolerance to construction impacts as seen in Matheny and Clark’s Relative Tolerance of Selected Species to Development Impacts chart. These trees are already in decline and are not expected to improve. Below is a list of the protected trees to be removed and non-protected trees to be removed.

**Protected trees proposed for removal:**

Black walnut trees #3, #10 and #24- These trees are in poor condition. All 3 trees are not expected to improve with any possible mitigations applied. Black walnut trees have a poor tolerance to construction impacts as seen in the Matheny and Clark, "Relative Tolerance of Selected Species to Development Impacts" chart. Below are the two criteria (from city ordinance) met to support the two trees to be removed.

1. The condition of the tree with respect to age of the tree relative to the life span of that particular species, disease, infestation, general health, damage, public nuisance, danger of falling, proximity to existing or proposed structures, and interference with utility services.

2. The necessity of the removal of the heritage tree in order to construct improvements and/or allow reasonable and conforming use of the property when compared to other similarly situated properties.

Monterey pine tree #29 are both dead and proposed for removal. Bark beetles and pinepitch canker disease has lead to the death of the trees. Below is the criteria met to support the pines to be removed.

1. The condition of the tree with respect to age of the tree relative to the life span of that particular species, disease, infestation, general health, damage, public nuisance, danger of falling, proximity to existing or proposed structures, and interference with utility services.

Small oak trees #7, 11, 12, 38, 40, and 41 are proposed for removal. The trees are in fair to poor condition. These trees are growing in heavily suppressed conditions creating trees with a heavy lean. Removal is recommended as the trees are not suspected to improve in condition. Removal is also needed to facilitate the proposed construction. Below is the criteria met to support the pines to be removed.

1. The condition of the tree with respect to age of the tree relative to the life span of that particular species, disease, infestation, general health, damage, public nuisance, danger of falling, proximity to existing or proposed structures, and interference with utility services.

2. The necessity of the removal of the heritage tree in order to construct improvements and/or allow reasonable and conforming use of the property when compared to other similarly situated properties.

**Non-protected trees proposed for removal:** #5, 8, and #34 are proposed for removal. These trees are proposed for removal to facilitate the proposed construction or due to their poor condition ratings. These trees are not of a protected size.





**Showing dead wood in canopy**

**Valley oak tree #31 proposed for removal:** Valley oak tree #31 is poorly located in the center of the lot. The vigor of the tree is declining. A history of limb failures was observed on nearly every limb of the tree. Sprout growth was visible along the large lateral limbs and on the trunk. This type of sprout growth is a sign of tree decline. Oak root fungus scars were visible at the base of the tree. Areas of missing bark were also observed. To determine the tree's suitability for preservation within the landscape, it was recommended to expose the tree's root crown and to drill test the tree for internal decay. This would give a better understanding on the tree's current state of health due to the oak root fungus scars observed.



**Showing sprout growth on trunk (left) and along limbs (right)**



**Root crown exposure:**

On Tuesday December 15<sup>th</sup>, 2020 Valley oak tree #31 had its root crown exposed. An air spade in combination with hand tools was used to carefully excavate around the root crown of the tree. About 8" of detritus was removed around the root crown of the tree. Below the detritus the soil was very compacted with remnants of old hardscape material encountered (bricks and concrete). The soil at the root crown was compacted enough that the air spade did little to help remove the soil. A well-defined root flare was never found. Decay pockets were encountered on the south and east side of the tree. No decayed areas were visible on the north or west side of the root crown. An average of 18 inches of soil was removed around the root crown and the efforts were concentrated on the south east side of the tree where there were visual decay pockets.

**Showing air spade used, picture showing south side of root crown**



**Showing east side of tree**



Once excavating around the root crown was completed, I was able to reach the inside of the tree through the decay pockets using my hands. Using my hands, I was able to reach at least a foot into the trunk of the tree where I encountered rotting wood. The wood was wet to the touch and easily removed. The feel of the wood was spongy. Within the inner wood removed by hand, mycelium was observed between the wood fibers. All these findings have resulted in the conclusion that the tree is infected with *Armillaria*, an oak root fungus disease.



**Pictures showing same piece of wood pulled from the inside of the tree. Notice white mycelium in wood. Also notice the spongy like texture when compressing the wood**



**Showing mycelium growth between wood fibers**



**Showing sponge like wood inside of tree**

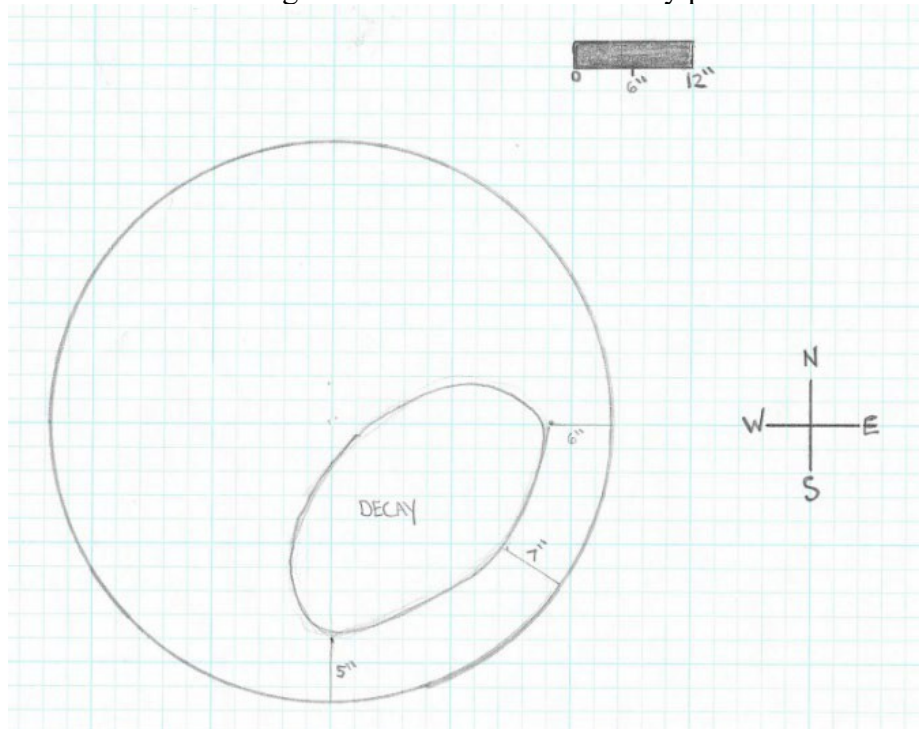




### Drill test:

On the same day, a drill test using an IML-RESI MD300 and a cordless drill was conducted to get a better understanding on the extent of decay encountered within the tree trunk. No decay was found on the north or west side of the tree. The only areas where decay was encountered were on the south east side of the tree. The drilled areas were at the base of the tree 8 inches above the observed decay pockets where the diameter was measured at 56 inches in diameter. On the south side of the tree, decay was encountered at 5 inches. On the east side of the tree decay was encountered at 6 inches. On the south east side of the tree, between the 2 decay pockets, decay was encountered at 7 inches. The results show that the *Armillaria* root fungus is

prevalent within the lower trunk/ root crown of the tree and has decayed the inner wood of the tree on one side. An estimated one third of the tree's heartwood has been lost at the base of the tree. The decay is not centralized as it appears that the disease has impacted the south east side of the tree's root crown. Below is a diagram showing a visual estimation of the encountered decay within the tree's trunk near grade 8 inches above the decay pockets.



**Diagram showing the decay encountered at the base of the tree**

**Conclusions/ recommendations:**

The oak root fungus disease (*Armillaria*) has impacted the trees structural stability within the landscape. This tree in its current state is not expected to survive more than 5 years and would be shortened by the proposed development impacts. *Armillaria* root rot is one of the leading causes of oak tree failures within the landscape. Because the decay is not centralized at the base of the tree, risk of failure is increased. *Armillaria* is a white rot decay fungus that destroys the strength of wood in roots and at the base of infected tree trunks, thereby increasing the likelihood of tree failure. There is no registered fungicides for *Armillaria* control in California. The University of California's Statewide Integrated Pest Management Program states that prevention, and cultural control is the only way to slow the disease progression. This should have been done a long time ago. Exposing the tree's root crown, reducing soil compaction through soil fracturing and keeping the area at the base of the tree dry would have helped to slow or stop the disease progression. The disease is well progressed within the tree and mitigation measures are not expected to improve the tree's structural stability. Tree removal is the only option to eliminate risk of tree failure. Tree failure risk are high due to the root rot disease. Below are the two criteria (from city ordinance) met to support the tree's removal.

1. The condition of the tree with respect to age of the tree relative to the life span of that particular species, disease, infestation, general health, damage, public nuisance, danger of falling, proximity to existing or proposed structures, and interference with utility services.
2. The necessity of the removal of the heritage tree in order to construct improvements and/or allow reasonable and conforming use of the property when compared to other similarly situated properties.

**Site conditions/recommendations:**

The site has not been maintained for an unknown length of time. General oak tree maintenance pruning for the retained oak trees is recommended. Pruning shall consist of crown cleaning and reduction cuts where appropriate and pruning cuts to promote future structure. Removing the unwanted shrubs and smaller trees will improve the future form of the retained trees. Once construction has been completed, it is recommended to test compaction levels around the retained trees. If compaction is high, vertical mulching or radial trenching will need to be prescribed to improve growing conditions. Once construction has been completed, the trees are recommended to be deep water fertilized with a high phosphorus fertilizer to encourage root growth. Mulching has been recommended around all of the oak trees to be retained. Mulch shall stay at least 2 feet away from the actual basal flare of the tree. All future plantings shall stay at least 10 feet away from the oak trees on site. Plantings at 10 feet that are still under the dripline of a protected oak tree are recommended to be drought tolerant and be irrigated through drip irrigation. Irrigation lines shall be placed as far as possible from the oak trees (outside of dripline) where possible.



**Trees to be relocated:**

Oak trees #30 and #39 are proposed to be transplanted on site. Valley oak tree #30 is easily of a movable size using a tree moving spade, while oak tree #39 is on the larger size for tree moving. We are exploring the possibility to relocate Oak tree #39. Currently, one option is to use a spade, and another option is to box up the tree. We are still working with the tree relocation services on the details. The tree is growing in suppressed conditions and has a minor lean. A large tree spade will need to be used to move the tree. The trees will need to be transplanted once the adjacent trees have been removed, for equipment to reach the trees. The trees are recommended to be boxed on site and stored on site until the landscaping phase of the project. Immediate irrigation will need to be provided to the oak trees as well as fertilization as soon as transplanting takes place as a mitigation measure for the trauma caused by moving the tree. This is usually done by the tree moving contractor. If the trees are still in its place in May of 2021, it is recommended to deep water fertilize the trees with 200 gallons of water mixed with a well- balanced fertilizer. Oak tree #39 is to be moved to the edge of a C3 water retention basin at the back of the property. The water retention basin is only used during the winter months when seasonal rainfall persists. Oak trees are native to this area and are used to only being irrigated during the winter months. Irrigating oak trees during the dry summer months raises risk of oak root fungus disease. Water in the dry season months in the retention system is not likely as the retention system is mostly used for storm water during the wet season. The tree is to be placed at the edge of the retention basin where the grade is higher and be placed on top of a mound so that any water drains away from the base of the tree. By placing the tree on a mound on the outside edge of the retention basin the tree's survivability rate will be greatly increased.

**Impacts/recommendations:**

Coast live oak tree #37 is located 3.5' from the proposed driveway and 9 feet from the proposed home on lot 1. Utility lines are also running underneath the tree's dripline underneath the proposed driveway. The utility lines are recommended to be excavated by hand in combination with an air knife and chipping hammer with clay spade attachment when working within 20 feet of the tree. Encountered roots shall be retained where possible while tunneling lines underneath or besides roots to reduce root loss trauma to the tree. While the roots are exposed, they shall be wrapped in layers of wetted down burlap and kept moist by wetting down the burlap multiple times a day. The area should be back filled as soon as possible with irrigation being applied to the area. The proposed driveway within 20 feet of this tree is recommended to be built on top of grade using Tensar TriAx TX140 triaxial geogrid. If excavation is required, excavation shall not exceed more than 6" when within 20 feet of oak tree #37. The geogrid product has a high load bearing spec. The geogrid can be placed directly over the soil surface with no compaction preparation needed (or over the 6" of excavation). Base rock can be laid on top of the geo grid and be tampered down. Using the geogrid will allow for a thinner base rock section as well. Edging restraints along the sides of the geogrid will be needed. The edging is recommended to be concrete that is flush in elevation with the geogrid or metal edging with small stakes pounded into the ground to hold the edging in place. Excavating for edging will result in cut roots and would nullify the recommended driveway construction as roots would be cut. The pathway work will need to be documented and inspected by the Project Arborist when working within 20 feet of oak tree #37. By building the driveway on top of grade with a minimal cut of 6" as described above, impacts are expected to be minor.

All of the hardscapes within 20 feet from oak tree #37 are also recommended to be built up on top of grade using the same techniques as the driveway build. The foundation when within 20 feet from the tree is recommended to be hand excavated with the Project Arborist on site to document. All encountered roots must be shown to the Project Arborist before being cleanly cut. A soaker hose is recommended to be placed at the edge of the foundation once materials have been allowed to dry. The soaker hose is recommended to be turned on every other week during the first 6 months following the root cutting. After 6 months the irrigation shall be permanently suspended. The tree is also recommended to be deep water fertilized in Spring following the completion of the construction. Overall impacts to oak tree #37 are expected to be minor.

A storm drain and retention area is proposed within the dripline of oak trees #35-37. All of this work including the grading will need to be done by hand. Where possible roots shall be saved. This work is a good distance away from the tree trunks. Impacts are expected to be minor. Minor irrigation may need to be provided during and after this work. The Project Arborist will need to be on site when work underneath a protected tree dripline is to take place. Any needed mitigations will be put in place at this time.

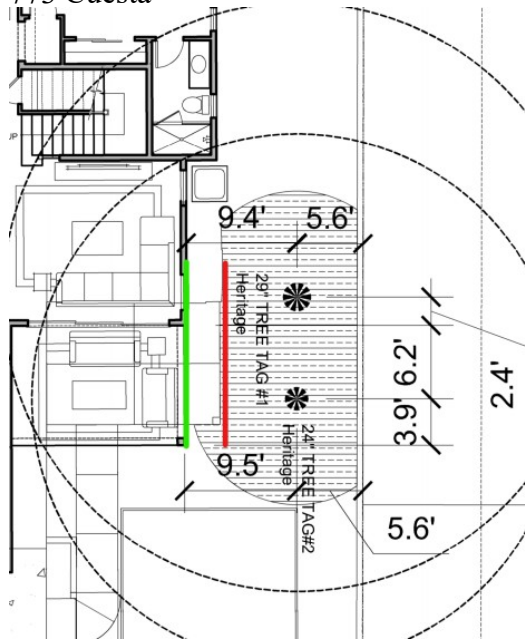
A new sidewalk is proposed near oak tree #35-36. The sidewalk construction shall be done by hand under the Project Arborist supervision. The finished grade of the sidewalk is recommended to be at the same existing grade or higher than the existing grade near these trees. Roots encountered within the base section shall be retained by packing base rock around the roots. Structural soil (base rock alternative) is recommended to be used as a base rock material for the sidewalk when below the tree driplines. Roots will need to be kept moist while exposed by covering roots in layers of wetted down burlap. Impacts are expected to be minor.

The foundation when within the dripline of oak tree #9 will need to be excavated by hand under the Project Arborist supervision. All encountered roots will need to be cleanly cut using loppers or a hand saw. Impacts are expected to be minor.

All hardscapes below the tree dripline shall be built up on top of grade where possible. The small decks at the back of the property are recommended to be supported above ground by individual piers with no continuous grade beam. Impacts are expected to be minor.



773 Cuesta



(13)

**Exploratory trench:**

An exploratory trench was conducted at the proposed foundation and patio work near oak trees #1 and #2 as requested by the City Arborist. The trench was conducted with the use of hand tools and air spade. The trench was 12 feet long with the 2 trees on center. The depth of the trench was 2-3 feet deep on average and show cased the entire root zone to be impacted by a foundation or patio work. The proposed foundation was located at 6.5' from the oak tree #1 and the patio at 6.5 feet from oak tree #2. The exploratory trench discovered many roots at this location, some measuring as much as 3" in diameter. The majority of the roots found were within the top foot of soil. At this distance root cutting would have a moderate to high impact on the trees. A secondary trench was then conducted parallel to the trench at 6.5 feet from the trees but at a distance of 9.4' from the trees (an extra 3 feet away from the trees). At this distance far less roots were encountered, and the size of the roots encountered were all under 2" in

**Red line showing trench at 6.5'**  
**Green line showing trench at 9.4'**

diameter. I then recommended that the foundation and patio work be at least 9.4' from trees #1 and #2 and plans were changed to reflect this recommendation. Only 4 roots measuring larger than 1" in diameter were encountered in the trench at 9.4' from the trees. Root sizes encountered are: 1.5", 1.2", 1.3" and 1.7" in diameter.



**Showing trench at 6.5' from trees**



**Showing trench at 9.4' from trees**



### **Recommendations for construction near oak trees #1 and #2:**

The entire foundation and patio excavation when within 20 feet from oak trees #1 and #2 is recommended to be excavated by hand with the Project Arborist on site to supervise. All encountered roots must be cleanly cut using a hand saw or loppers. Once the foundation cut is complete, 3 layers of wetted down burlap are recommended to be placed over the cut on the tree side of the oak trees to help keep roots moist. Burlap moisture shall be maintained. Both oak trees are recommended to be deep water fertilized in May of 2021 using 200 gallons of clean water mixed with a well balanced fertilizer. A soaker hose is recommended to be placed along the foundation and patio cut once the materials have been allowed to dry and cure. The soaker hose is recommended to

### **Showing limb to be removed**

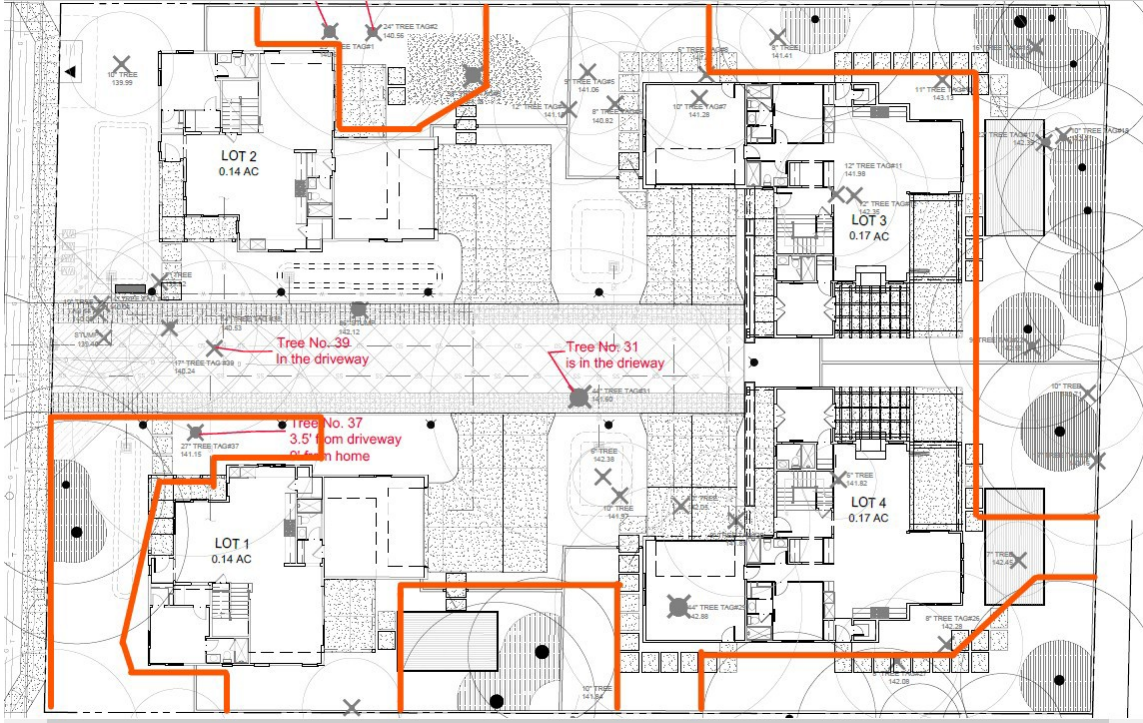
be turned on every 2 weeks until the top foot of soil is saturated. The soaker hose shall be removed one year following the cut. Oak tree #1 will need to be pruned for building clearance. All pruning shall be done by a Certified Arborist. The lowest limb oak tree #1 was measured at 14". This limb needs to be removed for building clearance. The pruning will have no impact on the tree's health and will be an estimated 10-15% canopy loss. Any hardscapes proposed closer than 9.4' from oak trees #1 and #2 will need to be built up entirely on top of grade to reduce overall impacts. These trees will need continual monitoring throughout the entire length of the proposed construction. Impacts are expected to be minor. The following tree protection plan will help to reduce impacts to any retained trees.

### **Tree Protection Plan:**

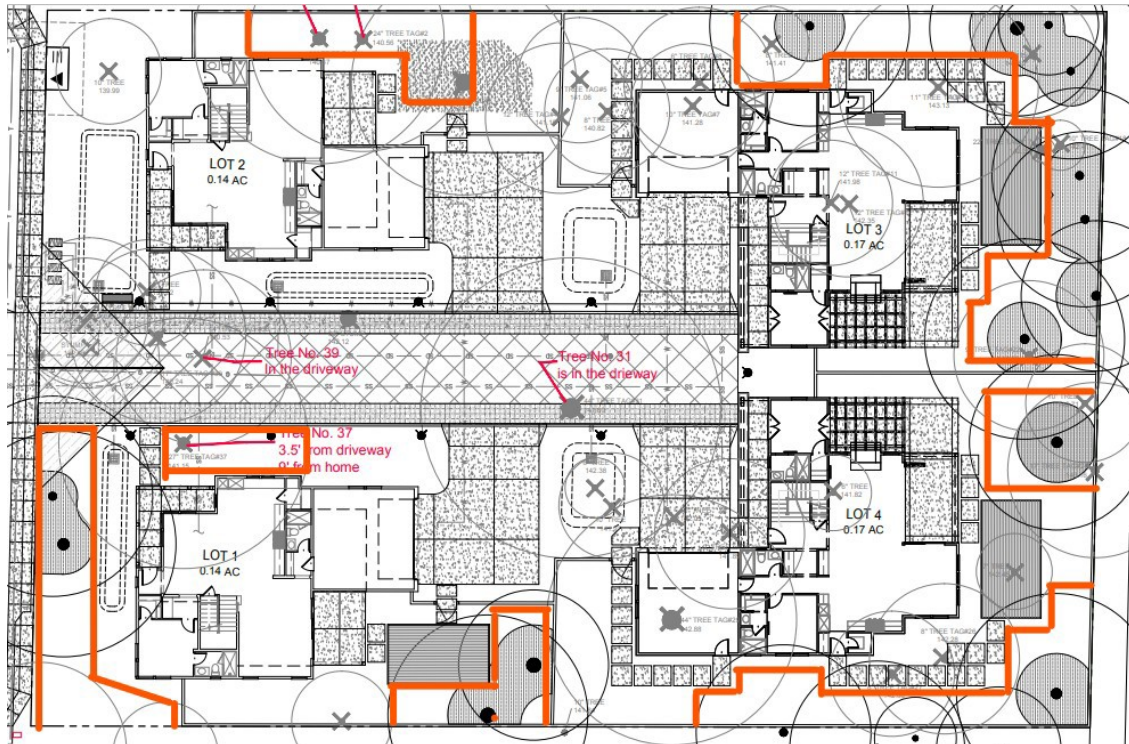
#### **Tree Protection Zones**

Tree protection zones should be established and maintained throughout the entire length of the project. Fencing for the protection zones should be 6-foot metal chain link fencing supported by metal poles or stakes pounded into the ground. The support poles should be spaced no more than 10 feet apart on center. The location for the protection fencing should be as close to the dripline as possible still allowing room for construction to safely continue. Signs should be placed on fencing signifying "Tree Protection Zone - Keep Out". No materials or equipment should be stored or cleaned inside the tree protection zones. For this site, tree protection fencing will need to be broken down into 2 phases. During construction of the homes and driveway tree protection fencing will need to be placed at the tree driplines where possible. Where driplines and proposed work overlap each other, fencing shall be placed as close as possible to the proposed work. All of the landscaping work including hardscapes are recommended to take place at the end of the project. During this phase of the project fencing will need to be modified for the work to take place.





**Showing tree protection for home construction**



**Showing tree protection fencing for landscape construction**

### Root Cutting

Any roots to be cut should be monitored and documented. Large roots or large masses of roots to be cut should be inspected by the site arborist. The site arborist may recommend fertilizing or irrigation if root cutting is significant. Cut all roots clean with a saw or loppers. Roots to be left exposed for a period of time should be covered with layers of burlap and kept moist. All excavation underneath a protected trees dripline is recommended to be supervised by the Project Arborist.

### Trenching

Trenching for irrigation, electrical, drainage or any other reason should be hand dug when beneath the driplines of protected trees. Hand digging and carefully laying pipes below or beside protected roots will dramatically reduce root loss of desired trees thus reducing trauma to the entire tree. Trenches should be backfilled as soon as possible with native material and compacted to near its original level. Trenches that must be left exposed for a period of time should also be covered with layers of burlap or straw wattle and kept moist. Plywood over the top of the trench will also help protect exposed roots below.

### Irrigation

Mulching the root zone of protected trees will help the soil retain moisture, thus reducing water consumption. Native oak trees shall not be irrigated unless their root zones are to be traumatized. Oaks shall only be irrigated deeply in the months of May and October to combat longer than normal drought conditions.

### Tree Pruning

All pruning of the trees should be carried out by a licensed tree care provider. The work will be overseen by the project arborist. All work will need to be within ANSI Standards, Best Management Practices and the city of Mountain View Standards.

The information included in this report is believed to be true and based on sound arboricultural principles and practices.

Sincerely,

Kevin R. Kielty *Kevin Kielty*  
Certified Arborist WE#0476A

David Beckham *David Beckham*  
Certified Arborist WE#10724A  
TRAQ Qualified

# Kielty Arborist Services

P.O. Box 6187  
San Mateo, CA 94403  
650-515-9783

## ARBORIST DISCLOSURE STATEMENT

Arborists are tree specialists who use their education, knowledge, training and experience to examine trees, recommend measures to enhance the beauty and health of trees, and attempt to reduce the risk of living near trees. Clients may choose to accept or disregard the recommendations of the arborist, or seek additional advice.

Arborists cannot detect every condition that could possibly lead to the structural failure of a tree. Trees are living organisms that fail in ways we do not fully understand. Conditions are often hidden within trees and below ground. Arborists cannot guarantee that a tree will be healthy or safe under all circumstances, or for a specified period of time. Likewise, remedial treatments, like a medicine, cannot be guaranteed.

Treatment, pruning, and removal of trees may involve considerations beyond the scope of the arborist's services such as property boundaries, property ownership, site lines, disputes between neighbors, landlord-tenant matters, etc. Arborists cannot take such issues into account unless complete and accurate information is given to the arborist. The person hiring the arborist accepts full responsibility for authorizing the recommended treatment or remedial measures. *Trees can be managed, but they cannot be controlled. To live near a tree is to accept some degree of risk. The only way to eliminate all risks is to eliminate all trees.*

Arborist: Kevin Kielty      David Beckham  
Kevin R. Kielty                      David Beckham

Date: April 13, 2021